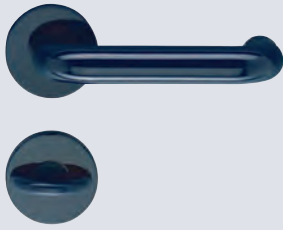


Handles and accessories for sanitary partitions

# Latching on to things



## Handle sets for bathroom doors and sanitary partitions



Nylon (Ku)  
Page 374



Aluminium (Al)  
Page 376



Stainless steel (ER)  
Page 380



Ku, Al, ER  
Page 382

## Locks for bathroom doors and sanitary partitions



Nylon (Ku)  
Page 384



Ku, Al, ER  
Page 385



Hasp-type lock  
Page 386

## Hinges for bathroom doors and sanitary partitions



Nylon hinge for unrebated doors  
Page 388

## Accessories for bathroom doors and sanitary partitions



Hook bumper / Hooks (Ku)  
Page 394



Push-pull handles (Ku)  
Page 396



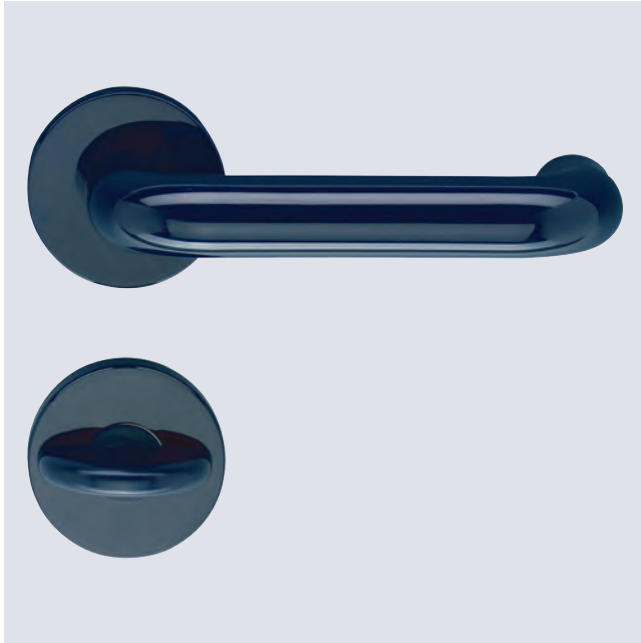
Partition foot elements (Ku)  
Page 398



Toilet roll holder (Ku)  
Page 399



WC brush set  
(Ku) / Glass  
Page 400

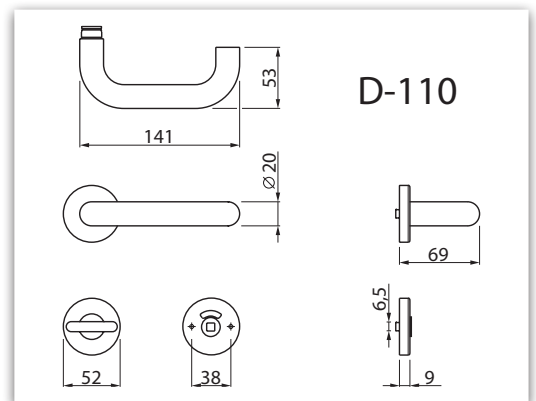


Description		
User category		■
Lever with steel core		■
Lever diameter	20 mm	■
Nylon base with positioning studs		■
Lever with fixable bearing		-
Spindle	7 mm	□
	8 mm	■
	8,5 mm	□
Concealed, continuous screw connection		■

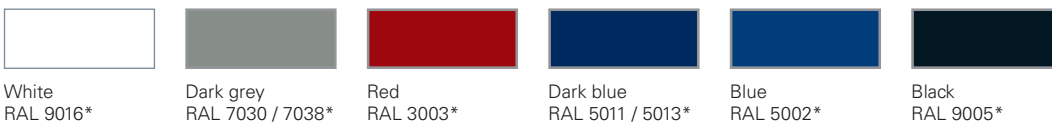
■ Yes   - No   □ On Request

**Description**

- Available for all common partition wall thicknesses
- Complete with WC lock and Red / White indicator
- Emergency opening via 8 mm external spindle
- External release slot on request
- Also available BB, PZ and lever/knob version
- Other colours on request
- Appropriate drill template available, (Art.-No. 930317)
- WC version with 5 mm, 6 mm or 8 mm square spindle available on request
- Square spindle inset in handle




Dimensioning



\*RAL colour similar. Colour range see page 401.

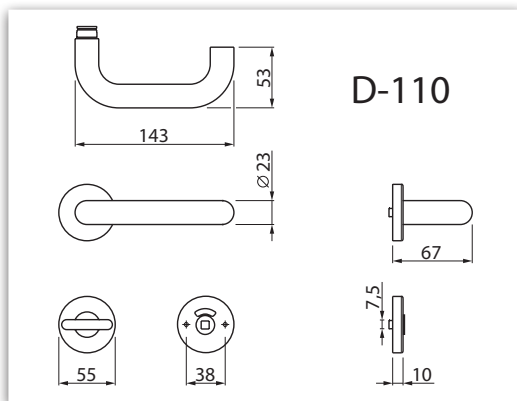


D-110	Article number	∅	∩		Material
<b>D 110.Ku.DD.WC</b>	150670	20 mm	8 mm		

## Handle sets for bathroom doors and sanitary partitions ■ Nylon

Description		
User category Class 3	<b>EN 1906</b>	■
Lever with steel core		■
Lever diameter	23 mm	■
Steel base with positioning studs		■
Lever with fixable bearing		■
Spindle	7 mm	□
	8 mm	■
	8,5 mm	□
Concealed, continuous screw connection		■

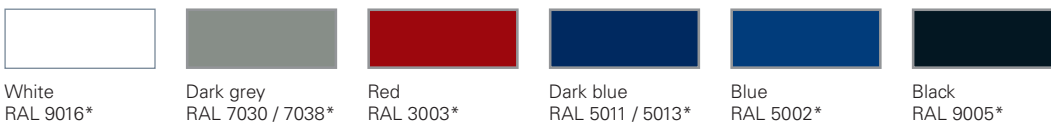
■ Yes   - No   □ On Request



Dimensioning

### Description

- Available for all common partition wall thicknesses
- Complete with WC lock and Red / White indicator
- Emergency opening via 8 mm external spindle
- External release slot on request
- Also available BB, PZ and lever/knob version
- Other colours on request
- Appropriate drill template available, (Art.-No. 930317)




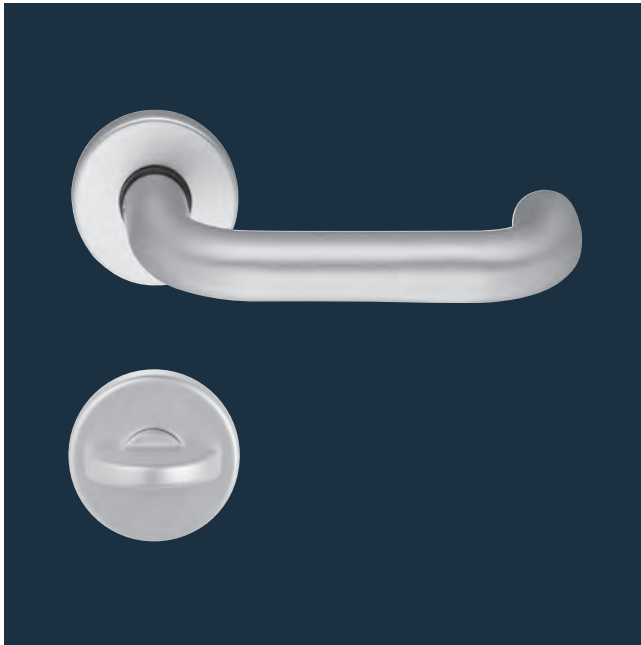
\*RAL colour similar. Colour range see page 401.



**EN 1906**



D-110	Article number	∅	∩		Material
<b>D 110.Ku.DD.WC</b>	154670	23 mm	8 mm		Nylon

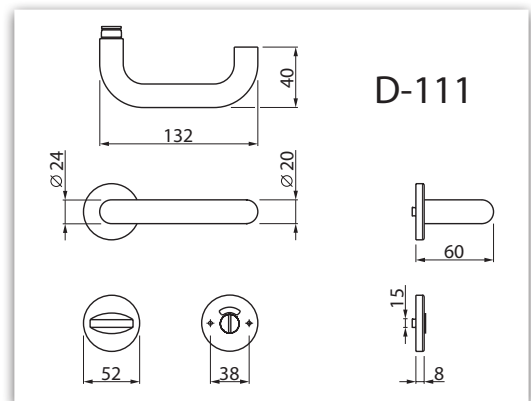


Description		
User category		-
Lever with steel core		-
Lever diameter	20 mm	■
Nylon base		■
Lever with fixable bearing		-
Spindle	7 mm	□
	8 mm	■
	8,5 mm	□
Concealed, continuous screw connection		■

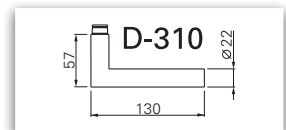
■ Yes - No □ On request

**Description**


- Available for all common partition wall thicknesses
- Complete with WC lock and Red / White indicator
- Emergency opening via external release slot
- Emergency opening via 8 mm external spindle on request
- Also available BB, PZ and lever/knob version
- Appropriate drill template available, (Art.-No. 930317)
- Square spindle inset in handle



Dimensioning



**BGL**  
Certified quality

D-111	Article number	Form	∅		Material
<b>D 111.AI.10.WC</b>	159112.30	U-Form	8 mm		Aluminium



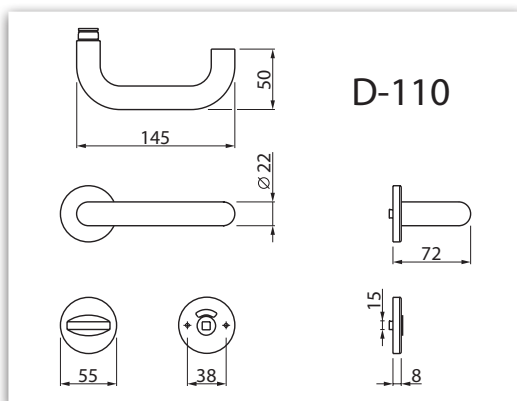
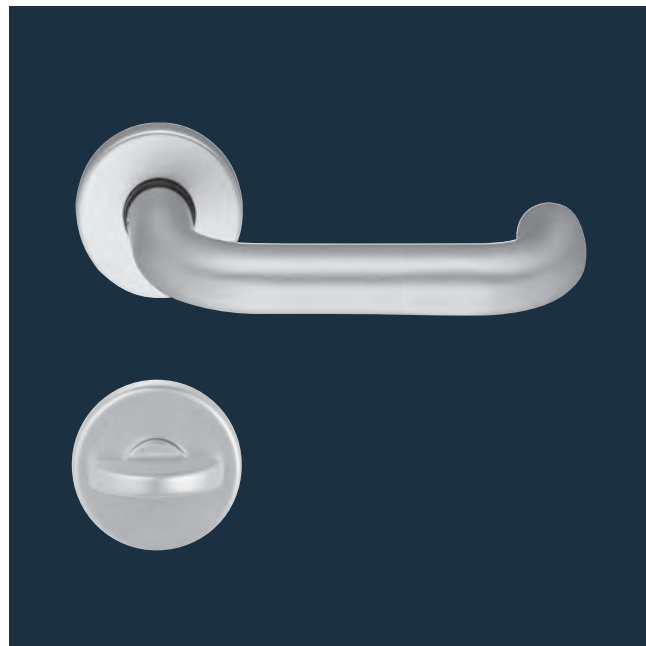
**BGL**  
Certified quality

D-310	Article number	Form	∅		Material
<b>D 310.AI.10.WC</b>	157300.30	CL-Form	8 mm		Aluminium

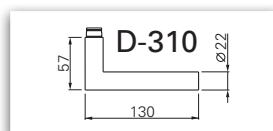
## Handle sets for bathroom doors and sanitary partitions ■ Aluminium

Description		
User category Class 3	<b>EN 1906</b>	■
Lever with steel core		-
Lever diameter	22 mm	■
Nylon base with positioning studs		■
Lever with fixable bearing		■
Spreaded spindle	7 mm	□
	8 mm	■
	8,5 mm	□
Concealed, continuous screw connection		■

■ Yes   - No   □ On Request




Dimensioning



### Description


- Available for all common partition wall thicknesses
- Complete with WC lock and Red / White indicator
- Emergency opening via 8 mm external spindle
- External release slot on request
- Also available BB, PZ and lever/knob version
- Appropriate drill template available, (Art.-No. 930317)
- Lever with fixable bearing

D-110	Article number	Form	∅		Material
<b>D 110.AI.12.WC</b>	152520.30	U-Form	8 mm		Aluminium



**EN 1906**

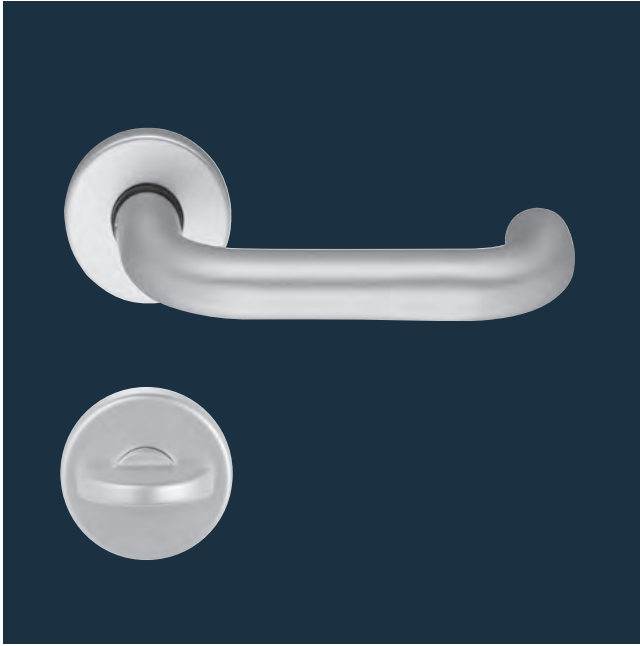


D-310	Article number	Form	∅		Material
<b>D 310.AI.12.WC</b>	152720.30	CL-Form	8 mm		Aluminium



**EN 1906**



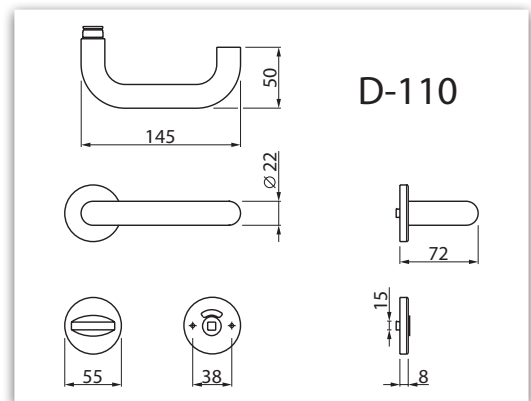


Description		
User category Class 4	<b>EN 1906</b>	■
Lever with steel core		-
Lever diameter	22 mm	■
Steel base with positioning studs		■
Lever with fixable bearing		-
Spindle	7 mm	□
	8 mm	■
	8,5 mm	□
Concealed, continuous screw connection		■

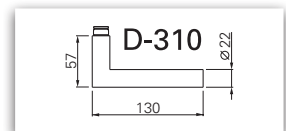
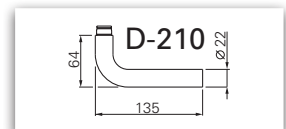
■ Yes    - No    □ On Request

### Description

- Available for all common partition wall thicknesses
- Complete with WC lock and Red / White indicator
- Emergency opening via 8 mm external spindle
- External release slot on request
- Also available BB, PZ and lever/knob version
- Appropriate drill template available, (Art.-No. 930317)
- Lever with fixable bearing




Dimensioning






## Handle sets for bathroom doors and sanitary partitions ■ Aluminium



EN 179 

EN 1906



D-110	Article number	Form	∅		Material
<b>D 110.AI.13.WC</b>	157520.30	U-Form	8 mm		Aluminium



EN 1906



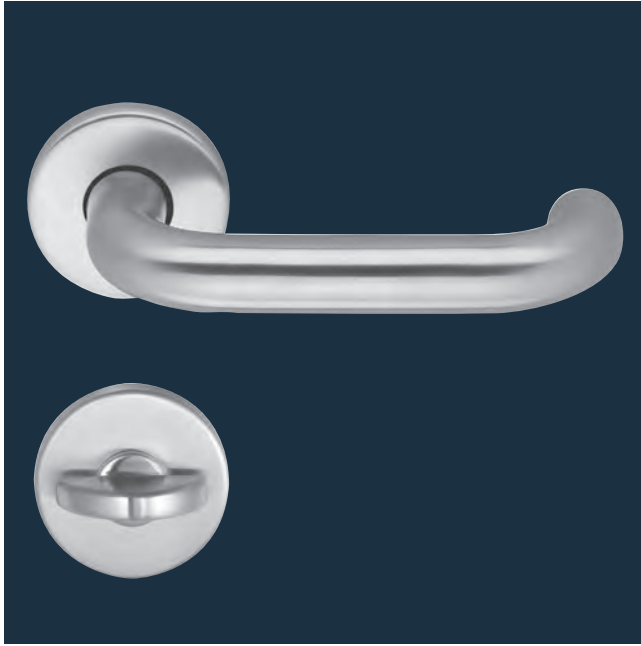
D-210	Article number	Form	∅		Material
<b>D-210.AI.13.WC</b>	157620.30	L-Form	8 mm		Aluminium



EN 1906



D-310	Article number	Form	∅		Material
<b>D 310.AI.13.WC</b>	157720.30	CL-Form	8 mm		Aluminium

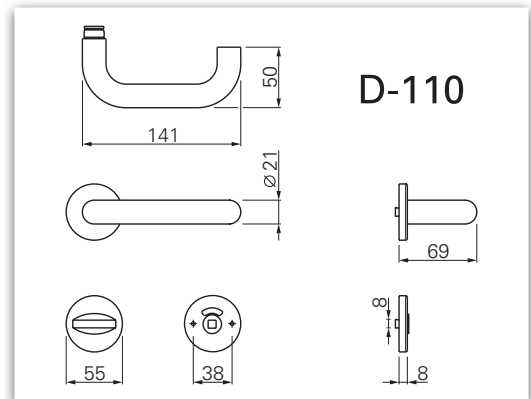


Description		
User category Class 3	<b>EN 1906</b>	■
Maintenance free lever guidance		■
Lever diameter	21 mm	■
Nylon base with positioning studs		■
Lever with fixable bearing		■
Spreaded spindle	7 mm	-
	8 mm	■
	8,5 mm	-
Concealed, continuous screw connection		■

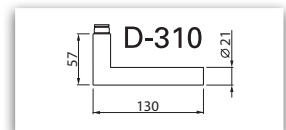
■ Yes - No ■ On Request

**Description**

- Available for all common partition wall thicknesses
- Complete with WC lock and Red / White indicator
- Emergency opening via 8 mm external spindle
- External release slot on request
- Also available BB, PZ and lever/knob version
- Appropriate drill template available, (Art.-No. 930317)
- Fixable bearing with restoring spring
- Surface: Stainless steel, satin finish



Dimensioning



**ER** **ROST-FREI** **SGL** Certified quality

**EN 1906**

D-110	Article number	Form	∅	Material
<b>D 110.ER.12.WC</b>	152520.46	U-Form	8 mm	Stainless steel



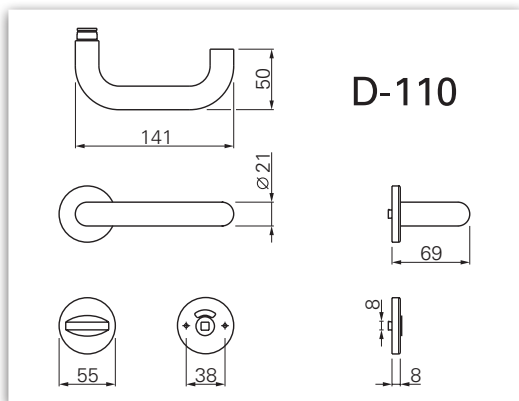
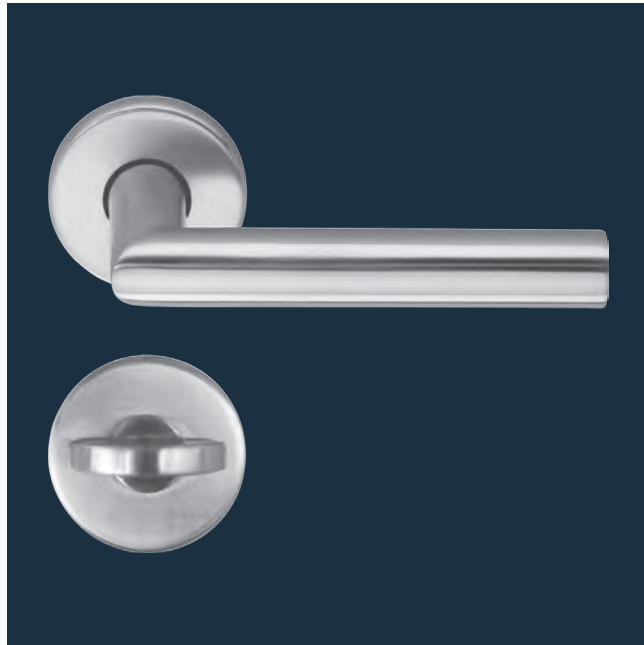
**ER** **ROST-FREI** **SGL** Certified quality

**EN 1906**

D-310	Article number	Form	∅	Material
<b>D 310.ER.12.WC</b>	152720.46	CL-Form	8 mm	Stainless steel

Description		
User category Class 4	<b>EN 1906</b>	■
Maintenance free lever guidance		■
Lever diameter	21 mm	■
Nylon base with positioning studs		■
Lever with fixable bearing		■
Spreaded spindle	7 mm	-
	8 mm	■
	8,5 mm	-
Concealed, continuous screw connection		■

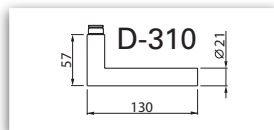
■ Yes   - No   □ On Request



**Description**


- Available for all common partition wall thicknesses
- Complete with WC lock and Red / White indicator
- Emergency opening via 8 mm external spindle
- External release slot on request
- Also available BB, PZ and lever/knob version
- Appropriate drill template available, (Art.-No. 930317)
- Fixable bearing
- Surface: Stainless steel, satin finish

Dimensioning



**EN 1906**




D-110	Article number	Form	∅		Material
<b>D 110.ER.13.WC</b>	156520.46	U-Form	8 mm		Stainless steel



**EN 1906**

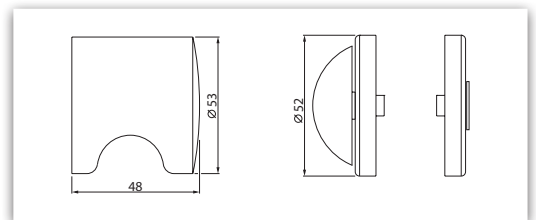
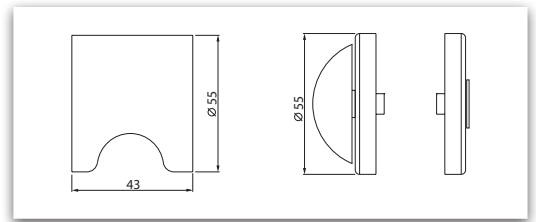


D-310	Article number	Form	∅		Material
<b>D 310.ER.13.WC</b>	156720.46	CL-Form	8 mm		Stainless steel



**Description**

- 2 single-piece knobs or 2 twin-piece knobs complete with locking button and indicator
- Emergency opening via 8 mm external spindle
- External release slot on request (SK)
- Concealed fastening
- Available for all common partition wall thicknesses



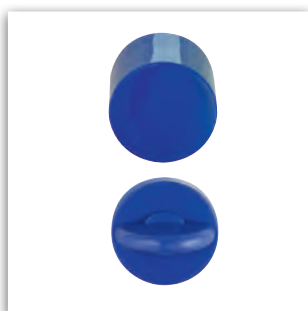
Dimensioning



Article number	Material	Version
156030.46	Stainless steel	AV
156032.46	Stainless steel	SK



Article number	Material	Version
157030.30	Aluminium	AV
157032.30	Aluminium	SK



Article number	Material	Version
150800	Nylon	AV
On request	Nylon	SK

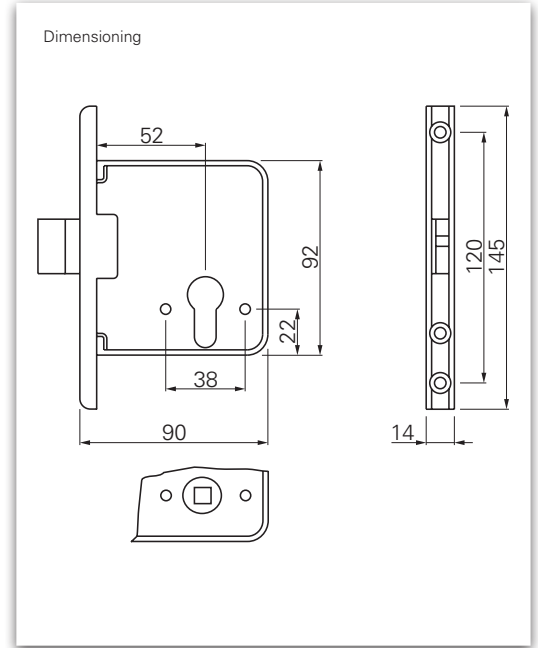
KEMMLIT  
Partition system variocell



## **ECO Hardware for Sanitary Partitions** **Where there's a door ...**

Whether under our own trademark or as an OEM partner product of renowned door manufacturers, solutions from ECO Schulte make doors functional all over the world. Where there's a door, ECO Schulte is not far away.

All over the planet, builders and investors are realizing demanding projects together with architects and planners. Clever solutions for doors are always in demand. Our philosophy of system security and reliability in the door is to be found just as much in contemporary architecture as in impressive hotels, public buildings, private residences, royal castles, private apartments and stadia.



**Description**

- Available in bathroom or PZ version
  - Dead bolt available in nylon or nickel-plated
  - Lock case in polished
  - 8 mm follower
- Dead bolt nickel-plated, on request



**Ku**

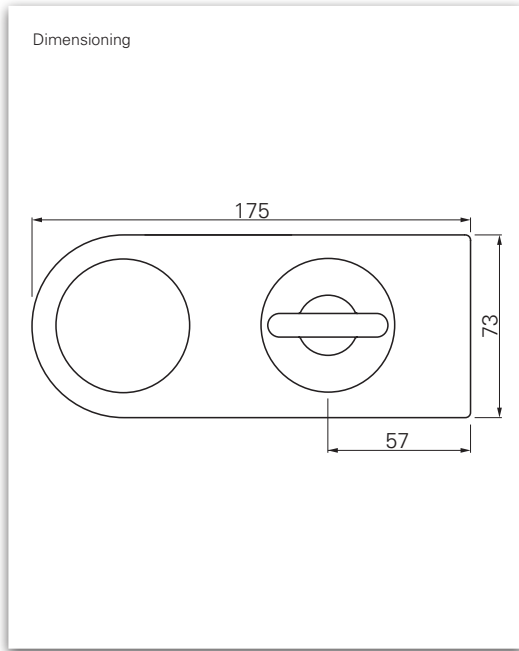
Mortise dead lock U-face plate WC-execution	Article number	Dead bolt	Material
<b>Mortise dead lock WC</b>	260405	Nylon	Nylon
<b>Mortise dead lock WC*</b>	260406	Nickel-plated	Nylon



**Ku**

Mortise dead lock U-face plate PZ execution	Article number	Dead bolt	Material
<b>Mortise dead lock PZ</b>	260400	Nylon	Nylon
<b>Mortise dead lock PZ*</b>	260401	Nickel-plated	Nylon

**Locks for bathroom doors and sanitary partitions ■ Lock set**



**Description**

- Traverse type
- For right- or left-hand mounting
- With 2 knobs, WC lock and Red / White indicator
- Invisible mounting plate
- Spindle 8 mm
- Other colours on request



White  
RAL 9016\*



Dark grey  
RAL 7030 / 7038\*



Red  
RAL 3003\*



Dark blue  
RAL 5011 / 5013\*



Blue  
RAL 5002\*



Black  
RAL 9005\*

\*RAL colour similar. Colour range see page 401.

WC lock set Nylon	Dead bolt	Article number	Material
Lock set WC-execution	Dead bolt flush	260456	Nylon
Lock set WC-execution	Dead bolt crank	260459	Nylon
Lock set PZ	Dead bolt flush (right)	260454	Nylon
Lock set PZ	Dead bolt flush (left)	260455	Nylon
Lock set PZ	Dead bolt crank (right)	260452	Nylon
Lock set PZ	Dead bolt crank (left)	260451	Nylon

WC lock set Stainless steel	Dead bolt	Article number	Material
Lock set WC-execution	Dead bolt flush	260456.46	Stainless steel
Lock set WC-execution	Dead bolt crank	260459.46	Stainless steel
Lock set PZ	Dead bolt flush	260455.46	Stainless steel
Lock set PZ	Dead bolt crank	260451.46	Stainless steel

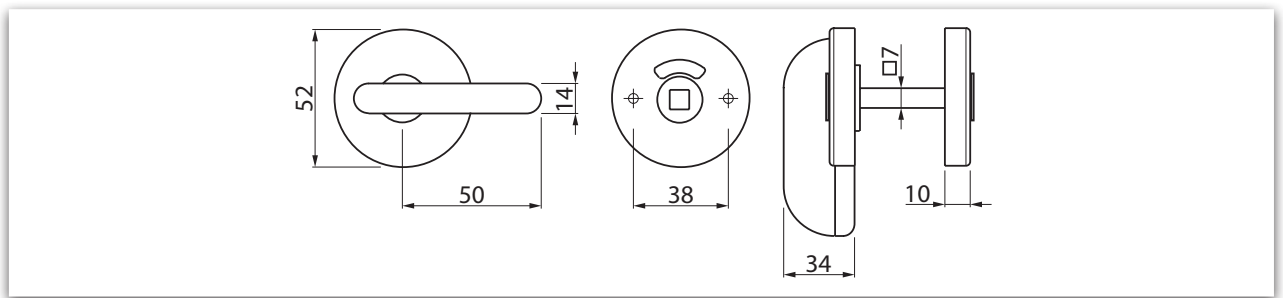
WC lock set Aluminium	Dead bolt	Article number	Material
Lock set WC-execution	Dead bolt flush	260456.30	Aluminium
Lock set WC-execution	Dead bolt crank	260459.30	Aluminium
Lock set PZ	Dead bolt flush	260451.30	Aluminium
Lock set PZ	Dead bolt crank	260455.30	Aluminium





**Description**

- Nylon version
- Version DIN left or DIN right
- Complete with WC lock and Red /White indicator
- Concealed, continuous screw connection
- Available for all common partition wall thicknesses
- Other colours on request



Dimensioning



White  
RAL 9016\*

Dark grey  
RAL 7030 / 7038\*

Red  
RAL 3003\*

Dark blue  
RAL 5011 / 5013\*

Blue  
RAL 5002\*

Black  
RAL 9005\*

\*RAL colour similar. Colour range see page 401.



WC-Hasp-type lock		Article number	Material
Hasp-type lock		260499	Nylon
Hasp-type set	additional with two knobs	150450	Nylon





Daycare facility for children „De Laabfrosch“ in Brensbach, Germany  
Picture: Schäfer Trennwandysteme GmbH

## ECO Hardware for Sanitary Partitions

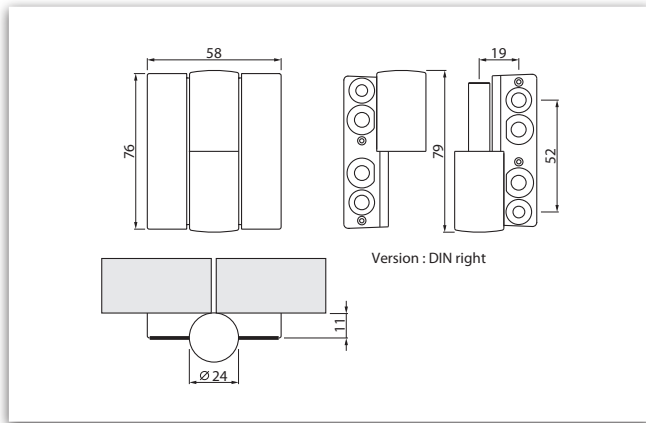
### Nylon handles

Used as basics, ECO handles made of high-quality nylon offer the option of setting colourful accents in architecture. A steel core is covered with polyamide, thus combining a pleasant feel with toughness and durability. ECO nylon handles are wearproof, colour and lightfast. The surfaces are harmless from a health and hygiene point of view, not susceptible to electrostatic charging and dimensionally stable in hot and cold temperatures. ECO handles and accessories in addition to the door handles.

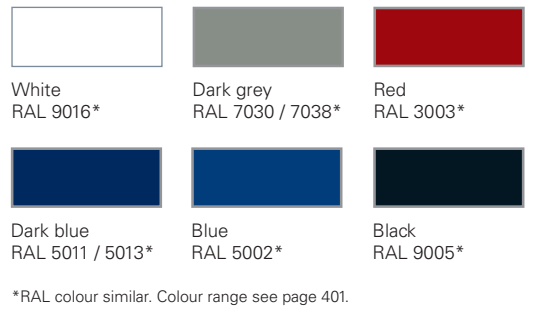


Description		
Version	24 / 21	■
	24 / 28	-
Inserts made of steel	3 mm	■
Two-piece version with two nylon caps		■
Concealed fastening		■
Matching washers available as accessories	1 mm	■
	2 mm	■
	3 mm	-

■ Yes   - No   □ On Request



Dimensioning




Nylon hinge for unrehabbed doors	Article number	Description	Material
Nylon hinge	260300	24 / 21 DIN right	Nylon
Nylon hinge	260305	24 / 21 DIN left	Nylon
Washer	260379	1 mm	
Washer	260382	2 mm	

## Hinges ■ Nylon hinge ■ 24 / 28

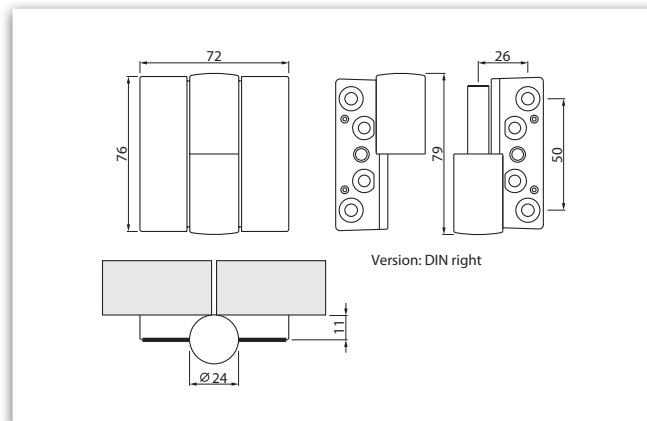
Description		
Version	24 / 21	-
	24 / 28	■
Inserts made of steel	3 mm	■
Two-piece version with two nylon caps		■
Concealed fastening		■
Matching washers available as accessories	1 mm	-
	2 mm	-
	3 mm	■

Yes    - No     On Request



		
White RAL 9016*	Dark grey RAL 7030 / 7038*	Red RAL 3003*
		
Dark blue RAL 5011 / 5013*	Blue RAL 5002*	Black RAL 9005*

\*RAL colour similar. Colour range see page 401.



Dimensioning

Ku

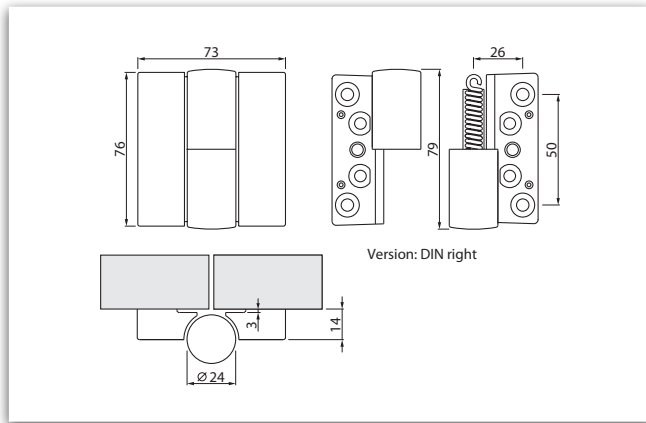


Nylon hinge for unrebated doors	Article number	Description	Material
Nylon hinge	260350	24 / 28 DIN right	Nylon
Nylon hinge	260355	24 / 28 DIN left	Nylon
Washer	260383	3 mm / DIN right	
Washer	260384	3 mm / DIN left	



Description		
Version	24 / 21	-
	24 / 28	■
Inserts made of steel	3 mm	■
Two-piece version with two nylon caps		■
Concealed fastening		■
Matching washers available as accessories truncated	1 mm	-
	2 mm	-
	3 mm	■

Yes    -    No     On Request



Dimensioning



\*RAL colour similar. Colour range see page 401.



Nylon spring hinge / nylon hinge for unrebated doors	Article number	Description	Material
Nylon hinge	260368	24 / 28 DIN left	Nylon
Nylon hinge	260369	24 / 28 DIN right	Nylon
Nylon spring hinge	260668	24 / 28 DIN left	Nylon
Nylon spring hinge	260669	24 / 28 DIN right	Nylon

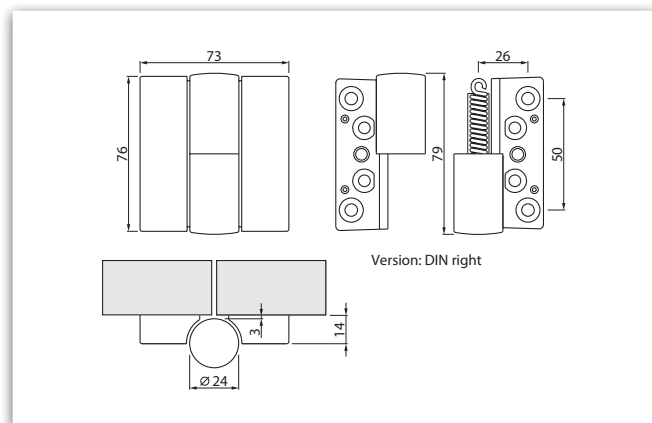
## Hinges ■ Nylon (spring) hinge ■ 24 / 28

Description		
Version	24 / 21	-
	24 / 28	■
Inserts made of steel	3 mm	■
Two-piece version with two nylon caps		■
Concealed fastening		■
Matching washers available as accessories clip able	1 mm	-
	2 mm	-
	3 mm	■
■ Yes   - No   □ On Request		



		
White RAL 9016*	Dark grey RAL 7030 / 7038*	Red RAL 3003*
		
Dark blue RAL 5011 / 5013*	Blue RAL 5002*	Black RAL 9005*

\*RAL colour similar. Colour range see page 401.



Dimensioning

Ku

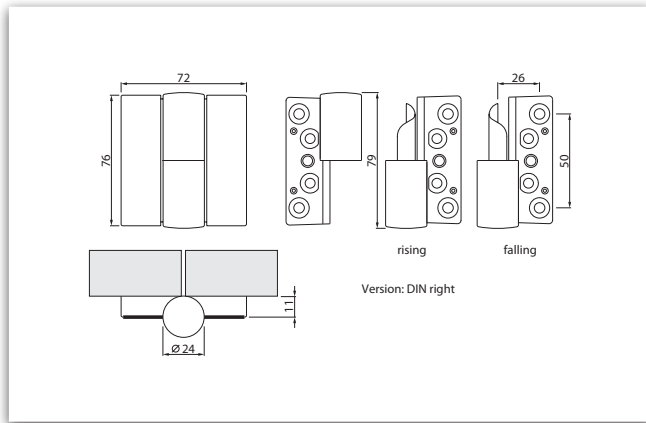


Nylon spring hinge / nylon hinge for unrebated doors	Article number	Description	Material
Nylon spring hinge	260600	24 / 28 DIN right	Nylon
Nylon spring hinge	260605	24 / 28 DIN left	Nylon
Washer	260383	3 mm / DIN right	
Washer	260384	3 mm / DIN left	

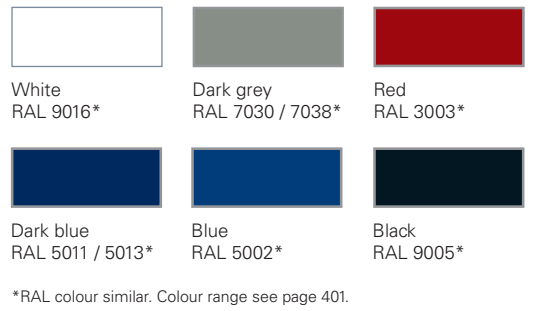


Description		
Version	24 / 21	-
	24 / 28	■
Inserts made of steel	3 mm	■
Rising hinge: self-closing		■
Falling hinge: self-opening		-
Two-piece version with two nylon caps		■
Concealed fastening		■
Matching click-on washers available as accessories	1 mm	-
	2 mm	-
	3 mm	■

■ Yes - No □ On Request



Dimensioning



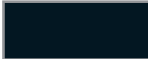


Nylon (spring) hinge rising unrebated doors	Article number	Description	Material
<b>Nylon hinge</b>	260700	24 / 28, rising DIN right	Nylon
<b>Nylon hinge</b>	260705	24 / 28, rising DIN left	Nylon
<b>Washer</b>	260383	3 mm / DIN right	
<b>Washer</b>	260384	3 mm / DIN left	

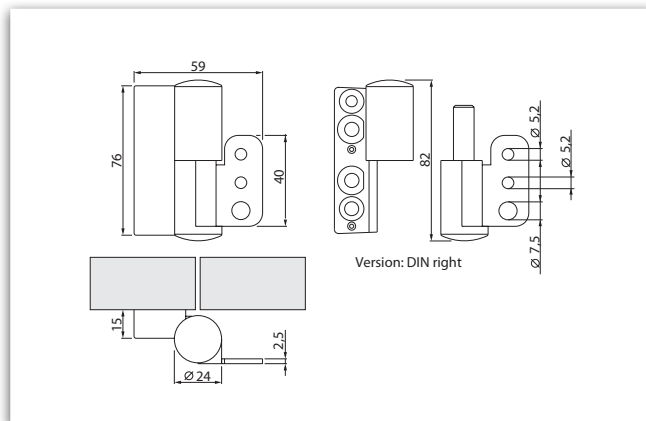
## Hinges ■ Nylon (spring) hinge ■ 24 / 21 ■ With bare lug on one side

Description		
Version Nylon hinge	24 / 21	■
	24 / 28	-
Version Nylon spring hinge	24 / 21	■
	24 / 28	-
Inserts made of steel	3 mm	■
With bare stainless steel in set on one side		■
Two-piece version with one nylon cap		■
Concealed fastening		■
Matching click-on washers available as accessories	1 mm	-
	2 mm	-
	3 mm	-
■ Yes   - No   □ On Request		



		
White RAL 9016*	Dark grey RAL 7030 / 7038*	Red RAL 3003*
		
Dark blue RAL 5011 / 5013*	Blue RAL 5002*	Black RAL 9005*

\*RAL colour similar. Colour range see page 401.

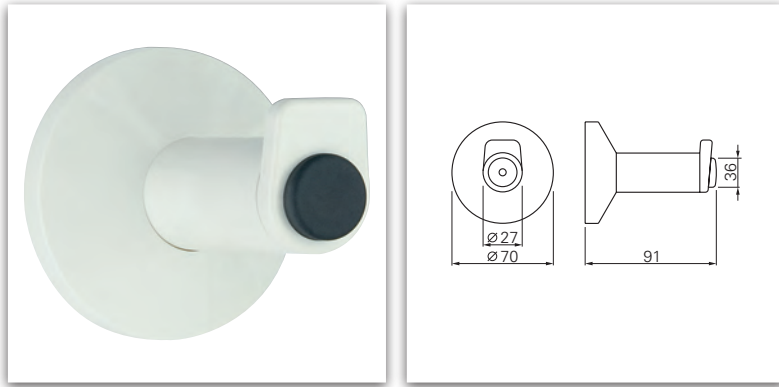


Dimensioning

Ku



Nylon (spring) hinge for unrebated doors	Article number	Description	Material
<b>Nylon hinge</b>	260802	24 / 21 DIN right	Nylon
<b>Nylon hinge</b>	260807	24 / 21 DIN left	Nylon
<b>Nylon spring hinge</b>	260812	24 / 21 DIN right	Nylon
<b>Nylon spring hinge</b>	260817	24 / 21 DIN left	Nylon



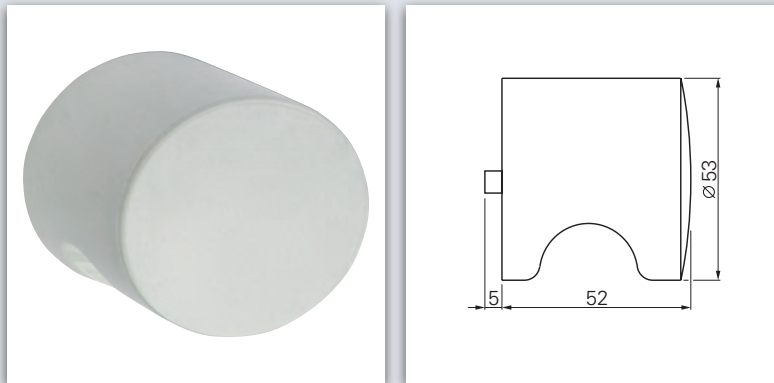
Dimensioning



\*RAL colour similar. Colour range see page 401.

Ku	Article number	Description	Material
<b>Hook bumper</b>	260030	With bumper	Nylon

### Knob made of nylon ■ with and without bumper



Dimensioning

- With positioning studs to prevent dislocation
- Other colours on request

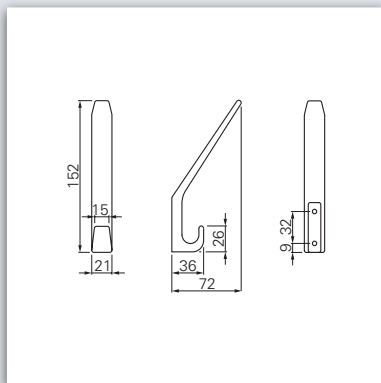


\*RAL colour similar. Colour range see page 401.

Ku	Article number	Description	Material
<b>Knob</b>	110826	With bumper	Nylon
<b>Knob</b>	110825	Without Bumper	Nylon
<b>Knob Set</b>	110828	Without Bumper	Nylon



### Hat and coat hook made of nylon



Dimensioning

- Concealed fastening
- Other colours on request



White  
RAL 9016\*



Dark grey  
RAL 7030 / 7038\*



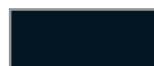
Red  
RAL 3003\*



Dark blue  
RAL 5011 / 5013\*



Blue  
RAL 5002\*



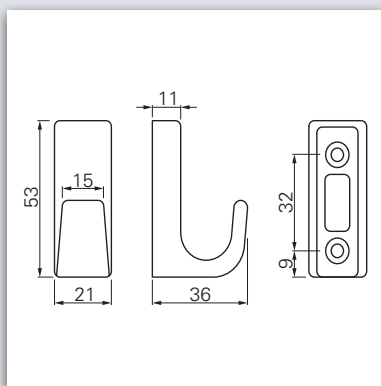
Black  
RAL 9005\*

\*RAL colour similar. Colour range see page 401.



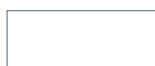
	Article number	Material
<b>Hat and coat hook</b>	260150	Nylon

### Coat hook made of nylon



Dimensioning

- Concealed screw-on fitting strip
- Other colours on request



White  
RAL 9016\*



Dark grey  
RAL 7030 / 7038\*



Red  
RAL 3003\*



Dark blue  
RAL 5011 / 5013\*



Blue  
RAL 5002\*



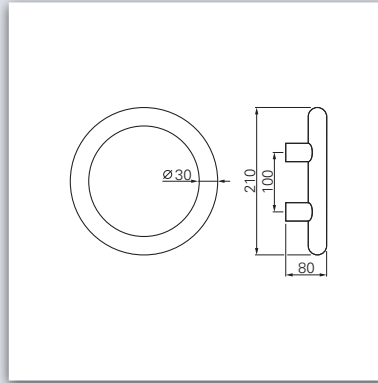
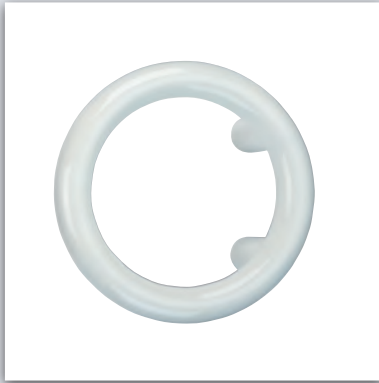
Black  
RAL 9005\*

\*RAL colour similar. Colour range see page 401.



	Article number	Material
<b>Coat hook</b>	260100	Nylon

**Push-pull handle made of nylon ■ With or without bumper**



Dimensioning

- Diameter of handle 30 mm
- Distance between centres 100 mm
- With or without bumper
- Mounting is simple and quick
- Other colours on request



White  
RAL 9016\*



Dark grey  
RAL 7030 / 7038\*



Red  
RAL 3003\*



Dark blue  
RAL 5011 / 5013\*



Blue  
RAL 5002\*



Black  
RAL 9005\*

\*RAL colour similar. Colour range see page 401.

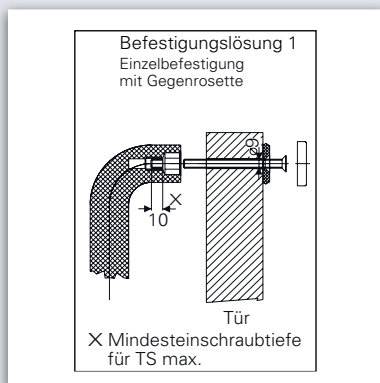
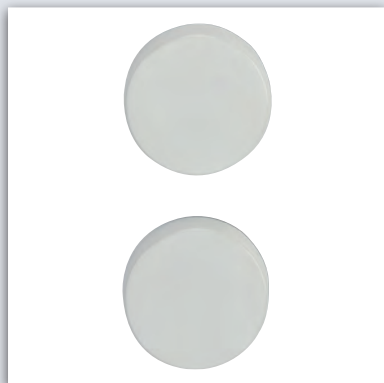


**Ku**

Push-pull handle circular (inside) without bumper	Article number	Ø	Höhe	Material
Push-pull handle circular (outside)	255551	30 mm	80 mm	Nylon
Push-pull handle circular (outside)	255552	30 mm	73 mm	Nylon
Push-pull handle circular (outside)	255554	30 mm	64 mm	Nylon

Push-pull handle circular (outside) with bumper	Article number	Ø	Height	Material
Push-pull handle circular (outside)	255553	30 mm	80 mm	Nylon

## Fixing system for polyamide push-pull handle



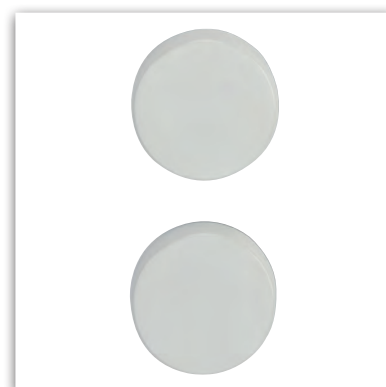
Dimensioning

- Available for the following thicknesses::

Fixing set 1:

- 5 - 20 mm
- 20 - 40 mm
- 40 - 60 mm
- 60 - 80 mm

Ku



Fixing system for polyamide push-pull handle	Article number	Ø	Description	Material
<b>Solution 1</b>	255802	30 mm	Single fixing with counter escutcheon	Nylon

### Partition-foot element made of nylon



Ø 40 mm



Ø 20 mm

- Concealed fastening
- Other colours on request



White  
RAL 9016\*



Dark grey  
RAL 7030 / 7038\*



Red  
RAL 3003\*



Dark blue  
RAL 5011 / 5013\*

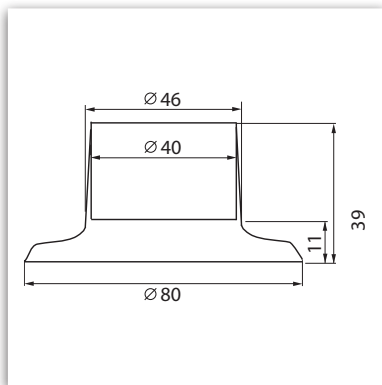


Blue  
RAL 5002\*



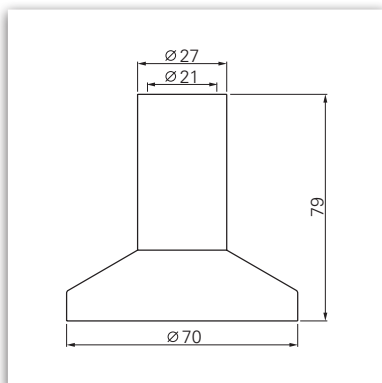
Black  
RAL 9005\*

\*RAL colour similar. Colour range see page 401.



Ku

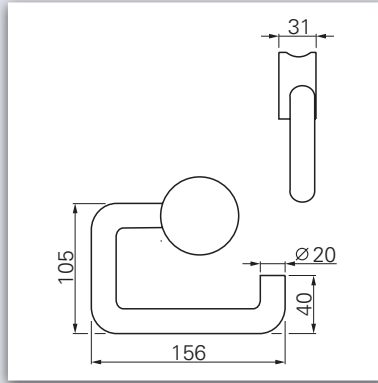
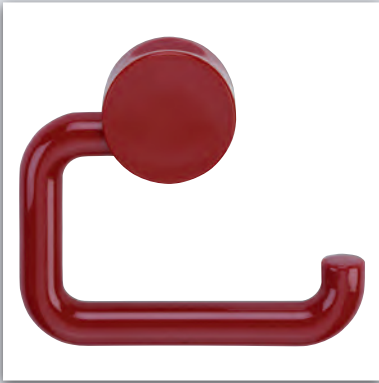
	Article number	Ø	Material
<b>Partition-foot element</b>	260425	40 mm	Nylon



Ku

	Article number	Ø	Material
<b>Partition-foot element</b>	260020	20 mm	Nylon

### Toilet roll holder made of nylon



Dimensioning

- Concealed screw fastening
- Other colours on request



White  
RAL 9016\*



Dark grey  
RAL 7030 / 7038\*



Red  
RAL 3003\*



Dark blue  
RAL 5011 / 5013\*



Blue  
RAL 5002\*



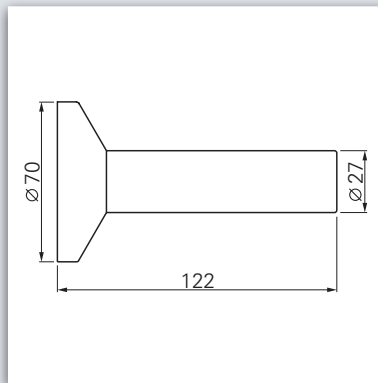
Black  
RAL 9005\*

\*RAL colour similar. Colour range see page 401.



	Article number	Material
<b>Toilet roll holder</b>	260200	Nylon

### Spare toilet roll holder made of nylon



Dimensioning

- Concealed screw fastening
- Wall-mounted
- Other colours on request



White  
RAL 9016\*



Dark grey  
RAL 7030 / 7038\*



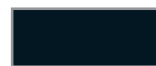
Red  
RAL 3003\*



Dark blue  
RAL 5011 / 5013\*



Blue  
RAL 5002\*



Black  
RAL 9005\*

\*RAL colour similar. Colour range see page 401.



	Article number	Material
<b>Spare toilet roll holder</b>	260010	Nylon

### WC brush set



With glass container



With nylon container

- Wall-mounted
- Holder made of nylon
- With removable brush holder made of satin glass or plastic
- Other colours on request



White  
RAL 9016\*



Dark grey  
RAL 7030 / 7038\*



Red  
RAL 3003\*



Dark blue  
RAL 5011 / 5013\*

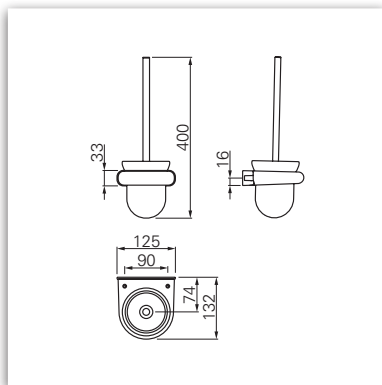


Blue  
RAL 5002\*

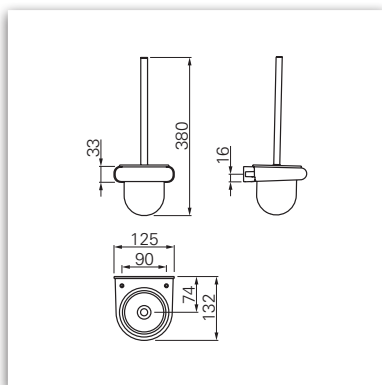


Black  
RAL 9005\*

\*RAL colour similar. Colour range see page 401.









	Article number	Material container
<b>WC brush set</b>	260110	Glass
<b>Replacement brush</b>	260110.17	










**Ku**

	Article number	Material container
<b>WC brush set</b>	260120	Nylon
<b>Replacement brush</b>	260110.17	

## Sanitary partitions ■ Colours

Similarly RAL*	Standard	No.	Colour
RAL 3003		01	Red
RAL 9005		02	Black
RAL 9010		08	White
RAL 5002		09	Blue
RAL 5011 / 5013		21	Dark blue
RAL 7030 / 7038		37	Dark grey

### On request

RAL 8022		04	Dark brown
RAL 6029		05	Green
RAL 1021		07	Yellow
RAL 3007		18	Dark red
RAL 6012		19	Dark green
RAL 7043		20	Grey
RAL 9016		15	White



ECO Schulte GmbH & Co. KG  
Iserlohner Landstraße 89  
D - 58706 Menden

Telefon: +49 2373/9276-0  
Fax: +49 2373/9276-40

[info@eco-schulte.de](mailto:info@eco-schulte.de)  
[www.eco-schulte.de](http://www.eco-schulte.de)

© ECO Schulte GmbH & Co. KG - Änderungen vorbehalten  
© ECO Schulte GmbH & Co. KG - Subject to change